



COTTON BALE GRAB

Let Collier & Miller transform the way you move your cotton modules with the innovative C&M Cotton Bale Grab.

A perfect example of the smart design and heavy-duty construction Collier & Miller is known for, this versatile machine is designed to make your cotton harvest faster and more efficient.

Featuring a special dual-arm design and dual hydraulic actuators, the C&M Cotton Bale Grab's grab action is both smooth and balanced.

FEATURES & BENEFITS

- Dual arm design for smooth stable action
- Twin hydraulic actuators
- Four heavy duty wheels for module protection
- Heavy base plate for increased stability
- Designed for Category 3 and 4 quick-hitch

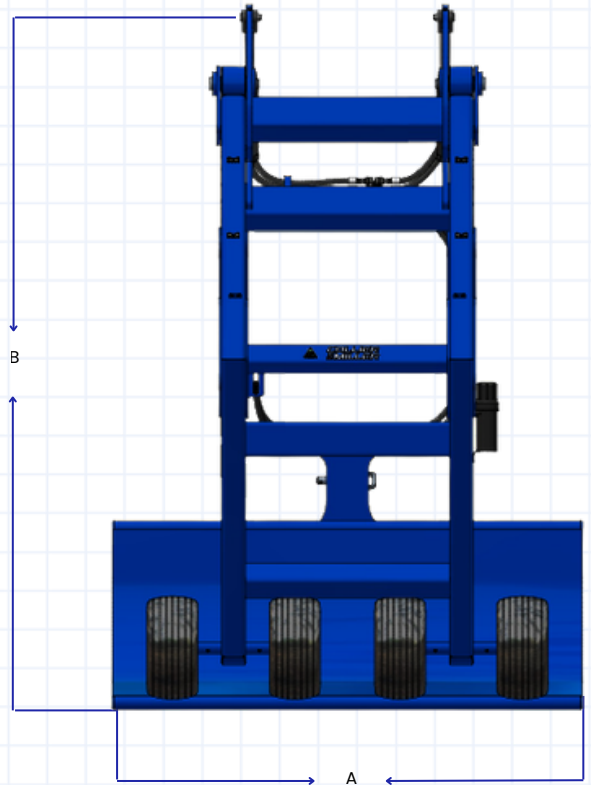
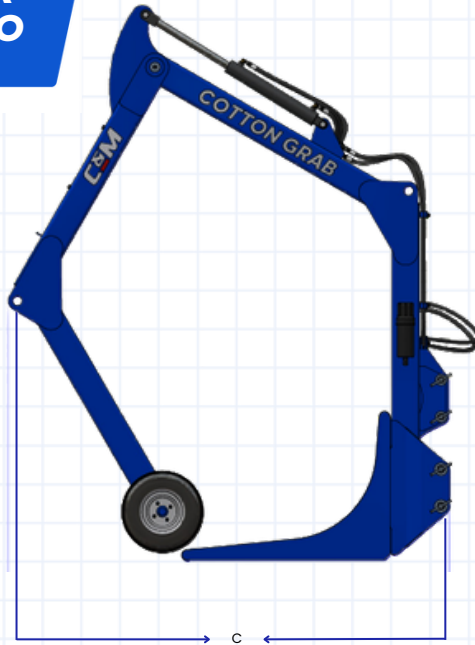
LINKAGE MOUNTED COTTON GRAB
HYDRAULIC ACTION
Product Code: CMCBL



COLLIER & MILLER



SCAN FOR
MORE INFO



MODEL	CMCBL
DESCRIPTION	C&M Cotton Bale Grab
A = OVERALL WIDTH	2000mm
B = OVERALL HEIGHT	3000mm
C = OVERALL LENGTH	2380mm
NUMBER OF CLAMPING WHEELS	4
WEIGHT KG	1300kgs
CAT 3 LINKAGE	Yes
HYDRAULIC CYLINDER SIZE	2.5" dia x 16" stroke
GREASEABLE BALL BUSHES IN HYDRAULIC RAM PIVOTS	Yes
GREASEABLE PIVOTS	Yes
NUMBER OF HYDRAULIC REMOTES REQUIRED	1 Set
CAT 3/4 LINKAGE	Yes
ELECTRIC OVER HYDRAULIC CONTROL	Available on request